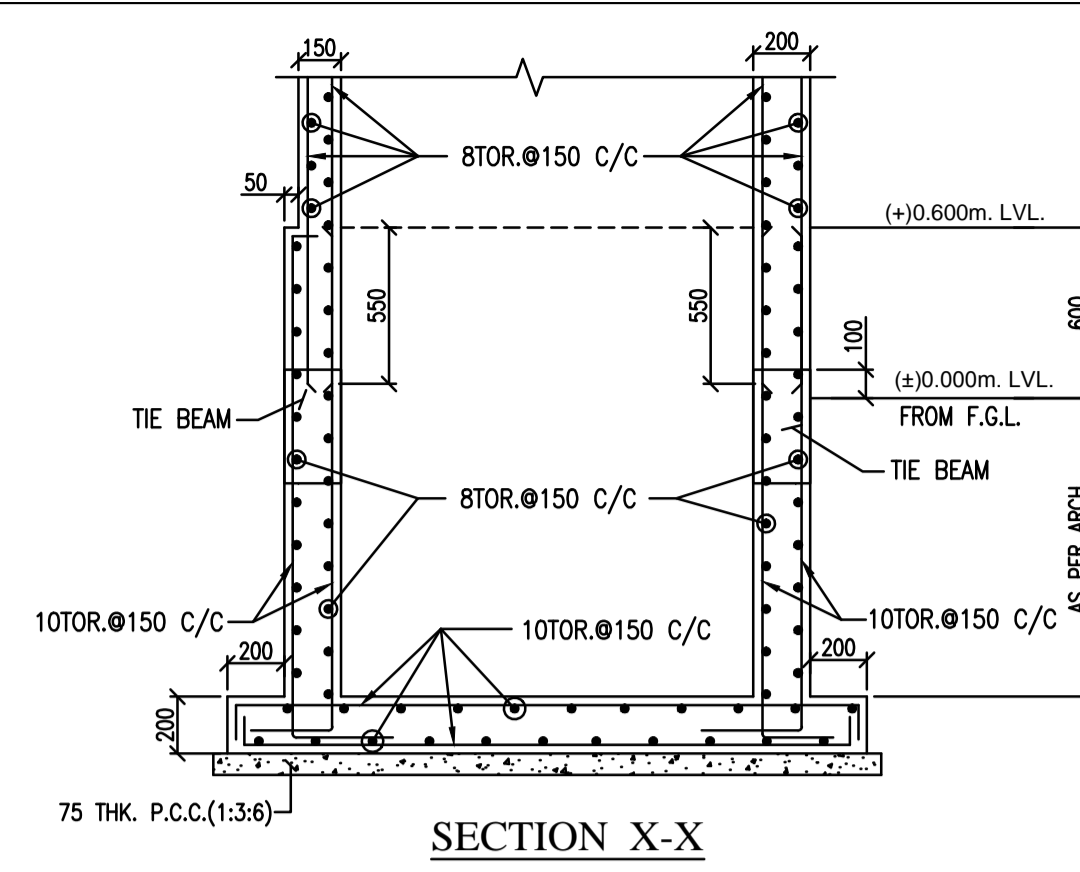
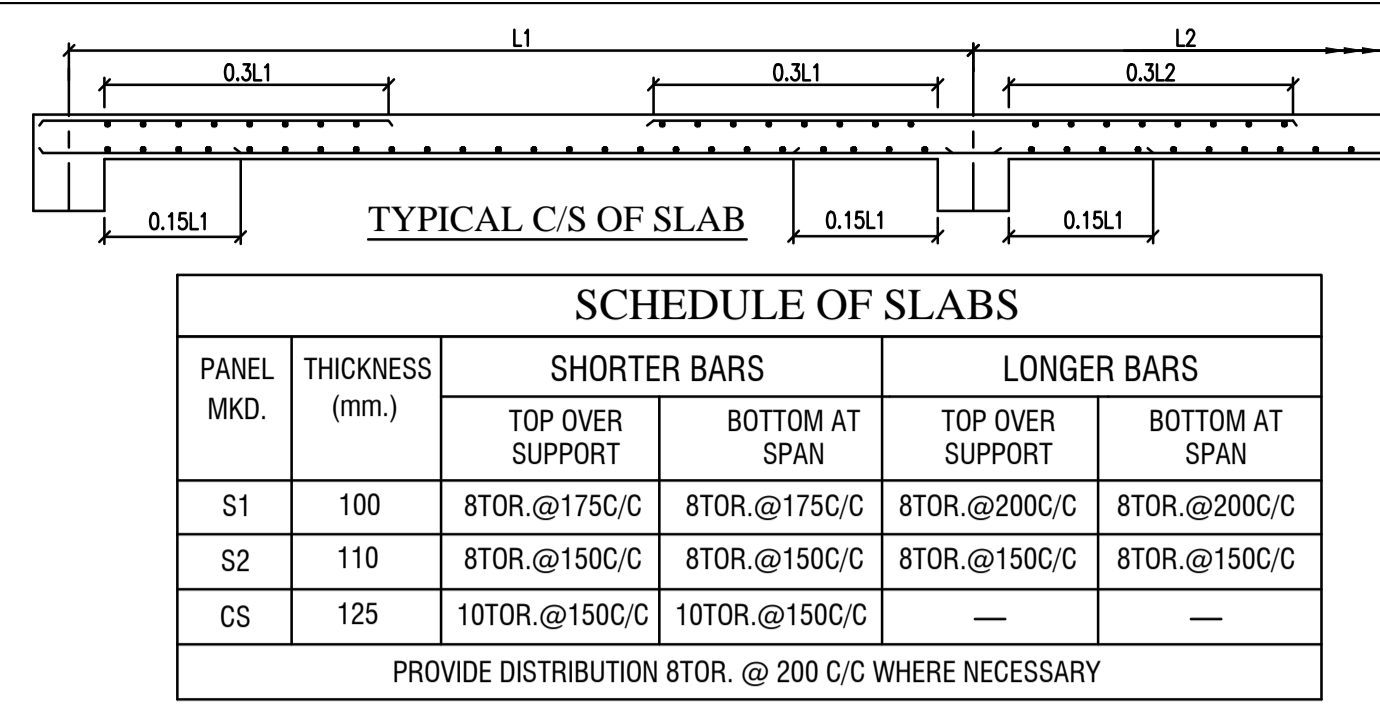


TYPICAL C/S OF TB(250X450)

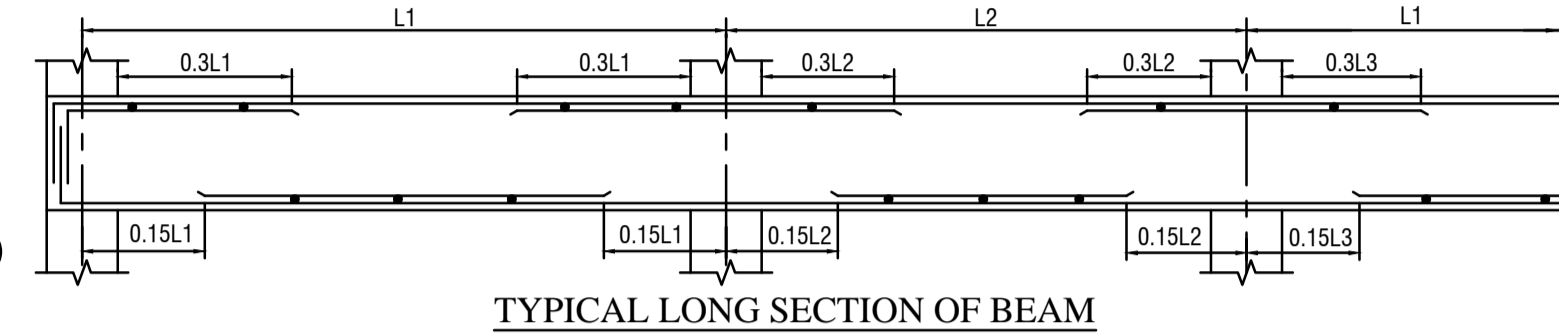


SECTION X-X



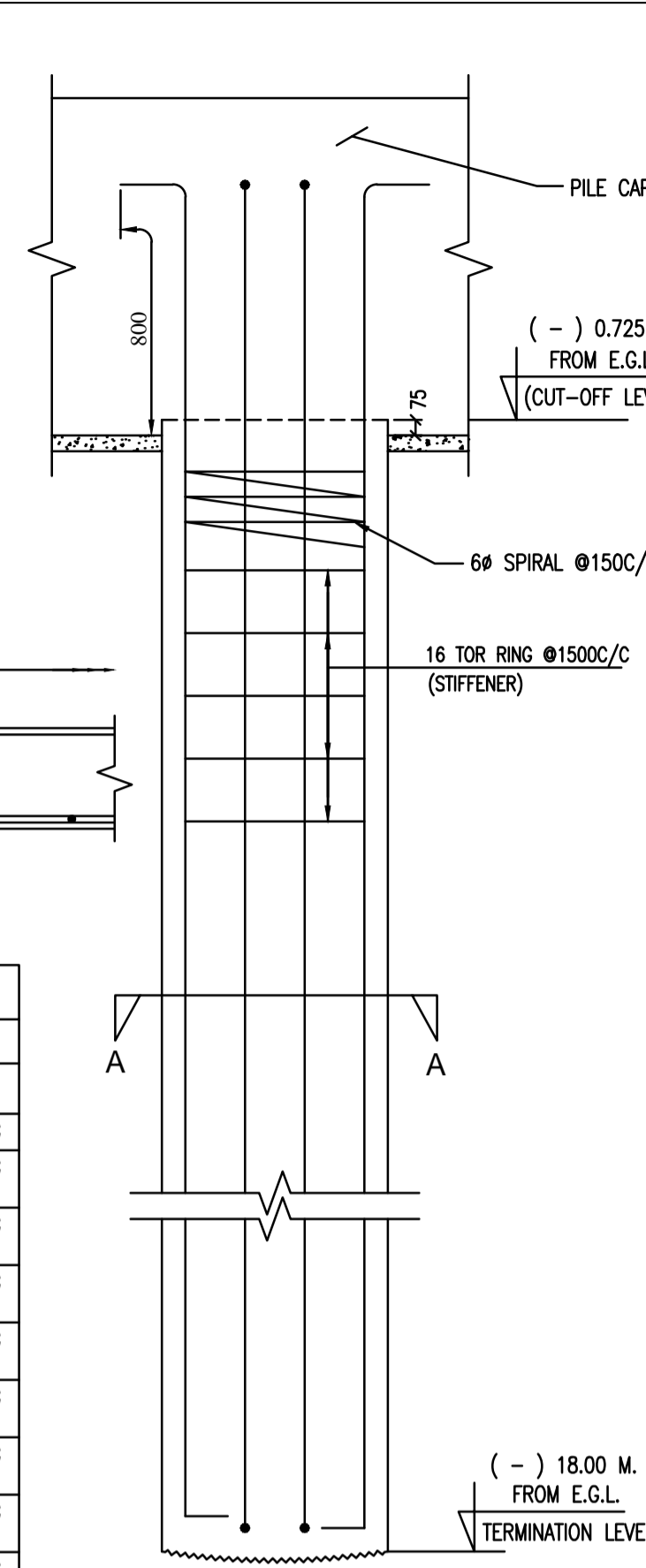
PANEL MKD.	THICKNESS (mm.)	SHORTER BARS		LONGER BARS	
		TOP OVER SUPPORT	BOTTOM AT SPAN	TOP OVER SUPPORT	BOTTOM AT SPAN
S1	100	8TOR.@175C/C	8TOR.@175C/C	8TOR.@200C/C	8TOR.@200C/C
S2	110	8TOR.@150C/C	8TOR.@150C/C	8TOR.@150C/C	8TOR.@150C/C
CS	125	10TOR.@150C/C	10TOR.@150C/C	—	—

PROVIDE DISTRIBUTION 8TOR. @ 200 C/C WHERE NECESSARY

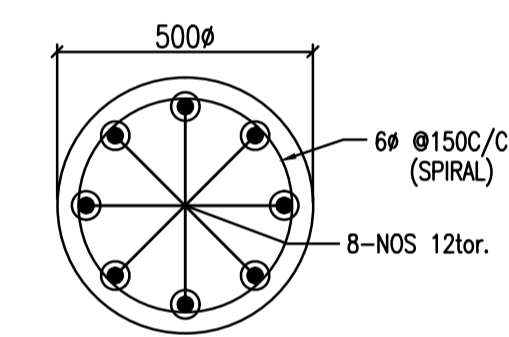


TYPICAL LONG SECTION OF BEAM

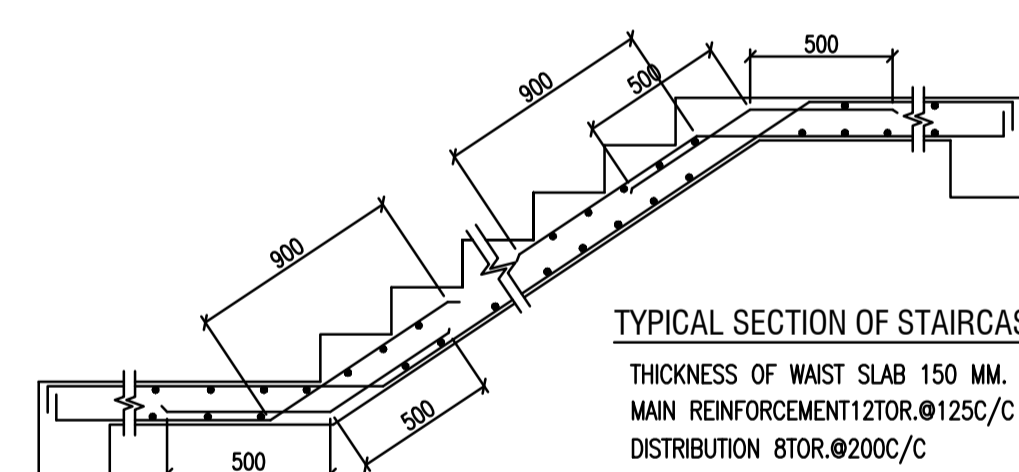
BEAM MKD.	SIZE	AT SUPPORT		AT SPAN		STIRRUPS	
		TOP	BOTTOM	TOP	BOTTOM	SUPPORT	SPAN
B1	250 X 500	3-16TOR.	3-16TOR.	3-16TOR.	3-16TOR.	2L-8TOR.@125C/C	2L-8TOR.@175C/C
B2	250 X 500	3-16TOR.+ 2-16TOR.	3-16TOR.	3-16TOR.	3-16TOR.+ 2-12TOR.	2L-8TOR.@125C/C	2L-8TOR.@175C/C
B3	250 X 500	3-16TOR.+ 3-16TOR.	3-16TOR.	3-16TOR.	3-16TOR.+ 2-16TOR.	2L-8TOR.@125C/C	2L-8TOR.@175C/C
B4	250 X 500	3-16TOR.+ 3-20TOR.	3-16TOR.	3-16TOR.	3-16TOR.+ 2-16TOR.	2L-8TOR.@125C/C	2L-8TOR.@175C/C
B5	200 X 500	2-16TOR.+ 2-12TOR.	2-16TOR.	2-16TOR.	2-16TOR.+ 2-12TOR.	2L-8TOR.@125C/C	2L-8TOR.@175C/C
B6	200 X 500	2-16TOR.+ 2-16TOR.	2-16TOR.	2-16TOR.	2-16TOR.+ 2-16TOR.	2L-8TOR.@125C/C	2L-8TOR.@175C/C
B7	300 X 500	3-16TOR.+ 3-20TOR.	3-16TOR.	3-16TOR.	3-16TOR.+ 2-16TOR.	2L-8TOR.@125C/C	2L-8TOR.@175C/C
SB	200 X 500	2-16TOR.+ 2-16TOR.	2-16TOR.	2-16TOR.	2-16TOR.+ 2-16TOR.	2L-8TOR.@125C/C	2L-8TOR.@175C/C
SB1	200 X 500	2-16TOR.+ 2-12TOR.	2-16TOR.	2-16TOR.	2-16TOR.+ 2-12TOR.	2L-8TOR.@125C/C	2L-8TOR.@175C/C
SB2	200 X 500	2-20TOR.+ 2-20TOR.	2-20TOR.	2-20TOR.	2-20TOR.+ 2-16TOR.	2L-8TOR.@125C/C	2L-8TOR.@175C/C
SB3	200 X 400	2-16TOR.	2-16TOR.	2-16TOR.	2-16TOR.	2L-8TOR.@150C/C	2L-8TOR.@150C/C
CB	250 X 500	3-16TOR.+ 3-16TOR.	3-16TOR.	3-16TOR.	3-16TOR.	2L-10TOR.@100C/C	2L-10TOR.@100C/C
CB1	250 X 500	3-16TOR.+ 3-20TOR.	3-16TOR.	3-16TOR.	3-16TOR.	2L-10TOR.@100C/C	2L-10TOR.@100C/C
CB2	300 X 500	3-16TOR.+ 3-20TOR.	3-16TOR.	3-16TOR.	3-16TOR.	2L-10TOR.@100C/C	2L-10TOR.@100C/C
H.L.B.	200 X 500	2-20TOR.+ 2-20TOR.	2-20TOR.	2-20TOR.	2-20TOR.+ 2-20TOR.	2L-8TOR.@125C/C	2L-8TOR.@175C/C



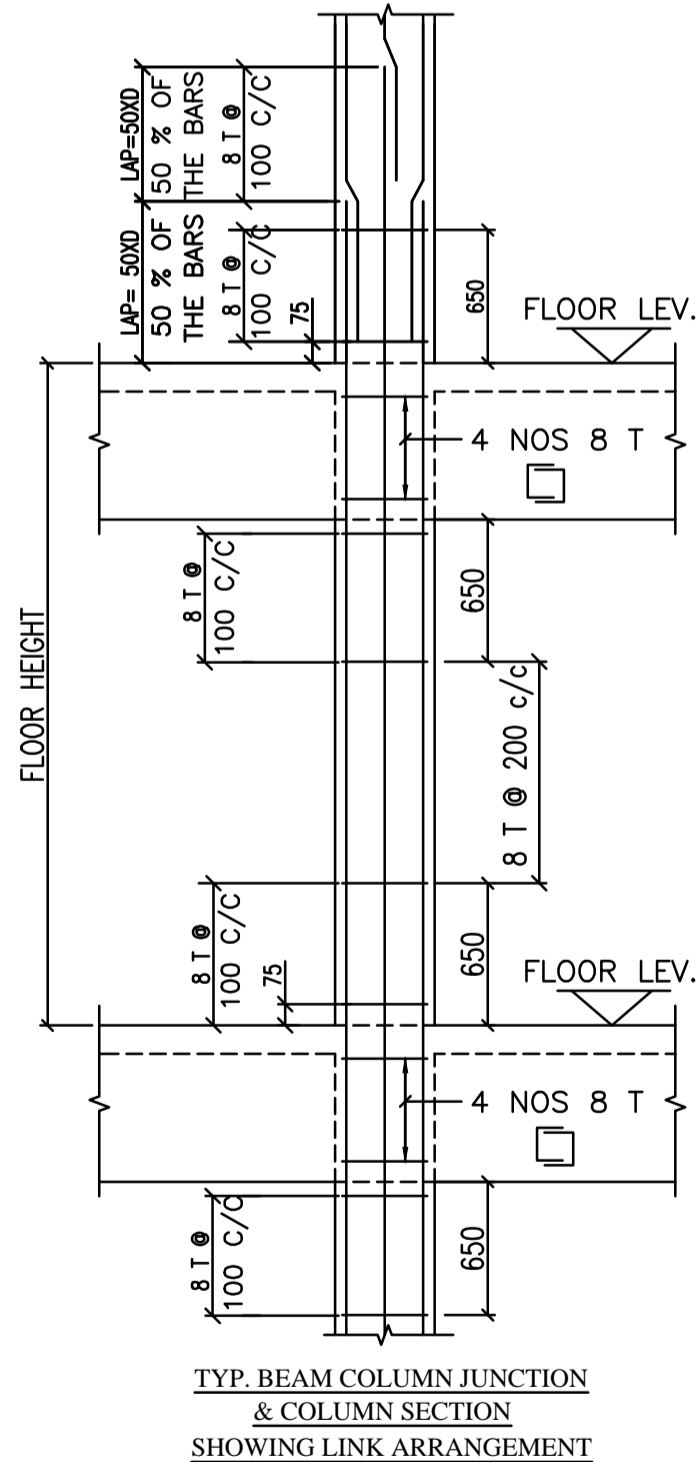
500Ø PILE CAPACITY 410 KN.



SECTION A-A

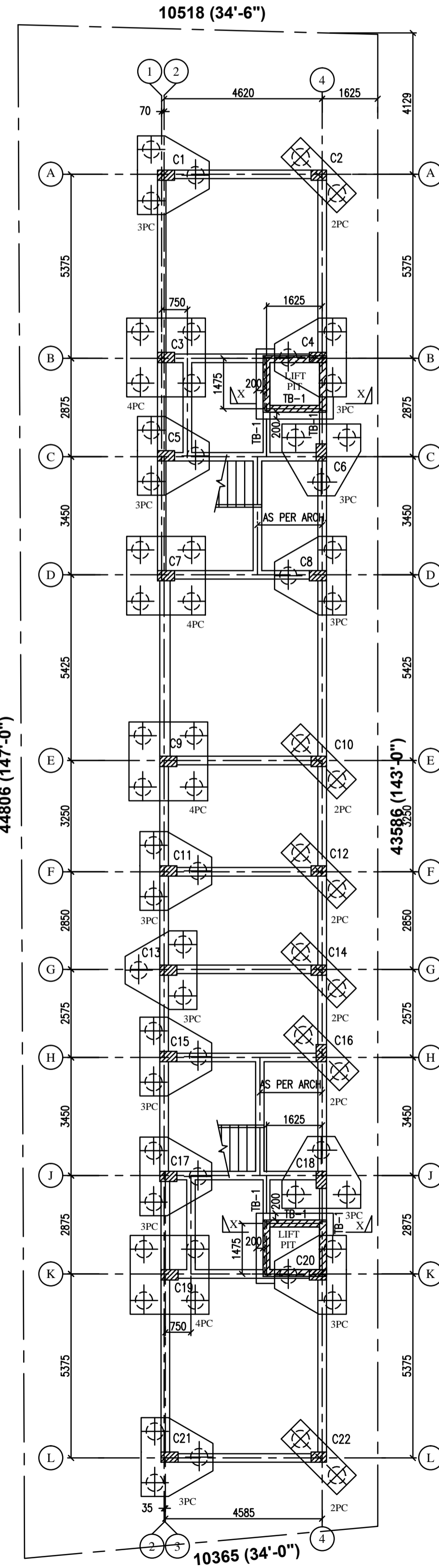


TYPICAL SECTION OF STAIRCASE THICKNESS OF WAIST SLAB 150 MM. MAIN REINFORCEMENT 12TOR.@125C/C DISTRIBUTION 8TOR.@200C/C

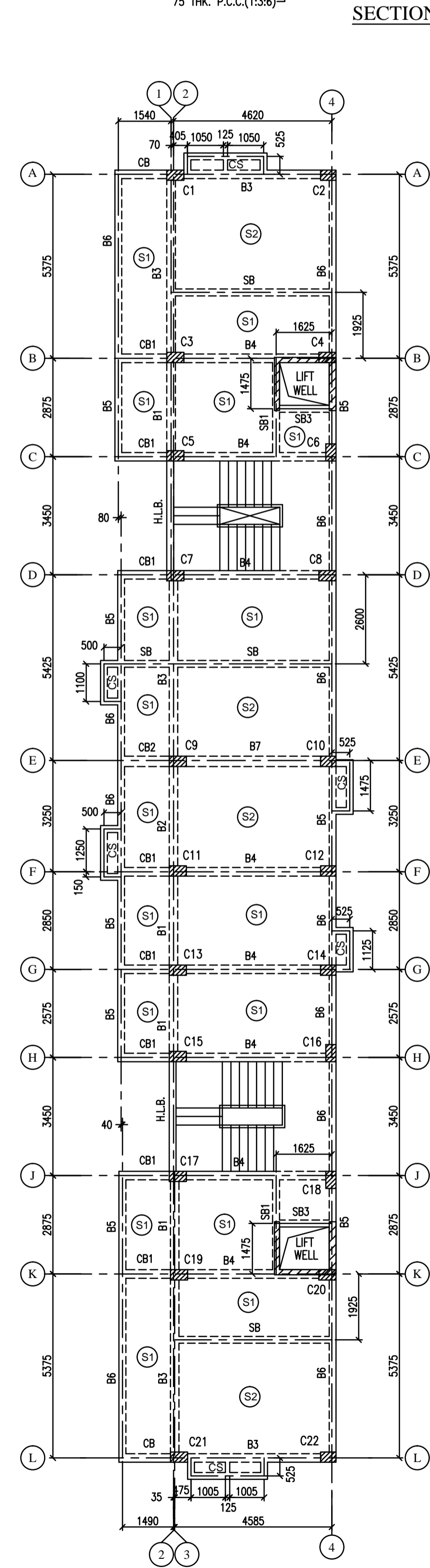


TYP. BEAM COLUMN JUNCTION & COLUMN SECTION SHOWING LINK ARRANGEMENT

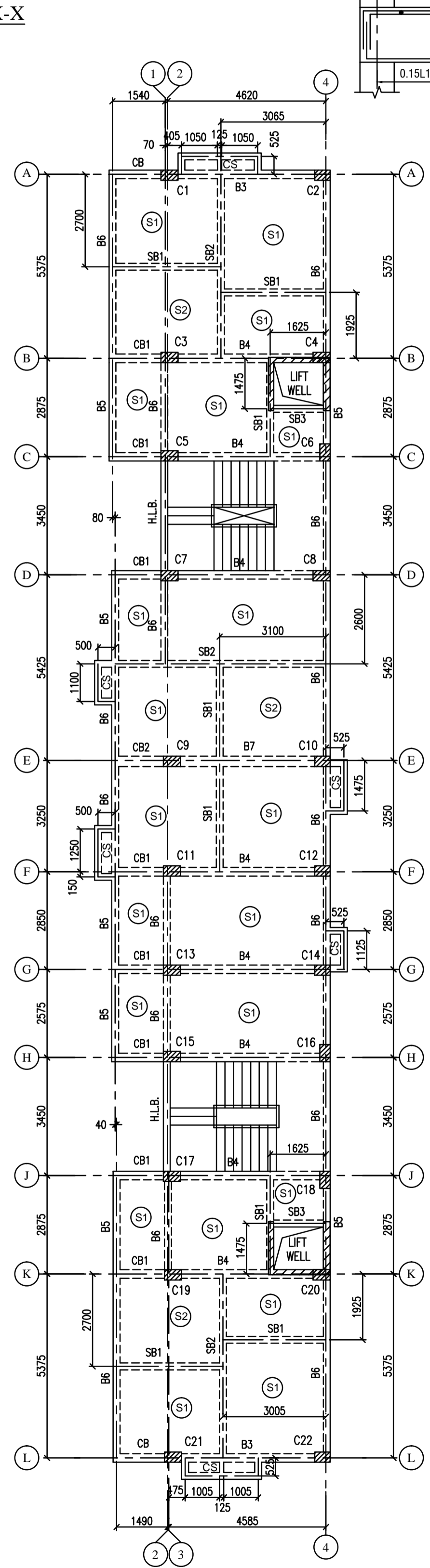
PILE CAP MKD.	DEPTH OF PILE CAP (mm)	CAP REINFORCEMENT						BURSTING REINFORCEMENT (SKIN)
		LONGER BAR			SHORT BAR			
		BOTTOM BAR	TOP BAR	STIRRUPS	BOTTOM BAR	TOP BAR	STIRRUPS	
2PC	800	7-16TOR.	4-12TOR.	4L-10TOR.@200C/C	—	—	—	(4-4)12TOR.
3PC	800	7-16TOR.	4-12TOR.	4L-10TOR.@200C/C	7-16TOR.	4-12TOR.	4L-10TOR.@200C/C	(4-4)12TOR.
4PC	1200	9-20TOR.+ 8-16TOR. (ALT. PLCD.)	9-16TOR.	—	9-20TOR.+ 8-16TOR. (ALT. PLCD.)	9-16TOR.	—	(7-7)12TOR.



FOUNDATION & TIE BEAM LAYOUT PLAN ALL TIE BEAM TB(250 X 450) U.N.O. & TB-1(200X450)



1ST. FLOOR SHUTTERING PLAN



TYP. FLOOR SHUTTERING PLAN

**PROJECT-**  
 PROPOSED (G+IV) RESIDENTIAL BUILDING NAMED B.L NABHOMANI AT S.N.GHOSH AVENUE, R.S DAG NO - 2131(PART), L.R DAG NO - 2177(P), R.S KHATIAN NO - 636, L.R. KHATIAN NO-2867,2868,2869,2870. MOUZA - ELACHI, J.L NO - 70, HOLDING NO - 756, WARD NO - 26, P.S - SONARPUR, DIST. - SOUTH 24 PARGANAS, UNDER RAJPUR- SONARPUR MUNICIPALITY.

- NOTES:**
- ALL DIMENSIONS ARE IN mm. U.N.O.
  - GRADE OF CONCRETE SHALL BE M25.
  - GRADE OF REINFORCEMENT SHALL BE Fe500.
  - CLEAR COVER TO REINFORCEMENT SHALL BE
    - FOR COLUMN = 40MM.
    - PILE = 50mm.
    - FOR PILE CAP = 50mm.
    - FOR TIE BEAM = 40mm.
    - FOR LIFT WALL = 20mm.
    - FOR BEAMS = 25mm.
    - FOR SLAB = 20mm.
  - MIX OF P.C.C. SHALL BE 1:3:6
  - LAP/BOND LENGTH SHALL BE 50D WHERE D IS THE DIAMETER OF BAR.
  - SPECIAL NOTES FOR PILES:-**
  - SLUMP FOR PILE CONCRETE SHALL BE 150 TO 180.
  - LOAD TEST TO BE CARRIED OUT ON PILE AS PER IS 2911-PART 4.
  - EXISTING GROUND LEVEL HAS BEEN TAKEN AS (+) 0.00m. LEVEL.
  - ALL THE PILES SHALL BE BORED CAST IN SITU PILE BY AUGER.
  - GRADE OF CONCRETE SHALL BE M25 (MIN. CEMENT CONTENT IS 400 Kg/Cum. AND MAXM. WATER CEMENT RATIO IS 0.45).
  - UNLESS OTHERWISE SPECIFIED ALL REINFORCEMENT STEEL SHALL BE OF GRADE Fe-500 CONFORMING TO I.S. 1786-1985
  - CLEAR COVER TO MAIN REINFORCEMENT SHALL BE 50 mm. (ROLLER TYPE COVER BLOCK TO BE USED).
  - SPECIFIC GRAVITY OF BENTONITE SLURRY AFTER WASHING SHALL 1.1 TO 1.2.

**DECLARATION OF OWNER**

I DO HEREBY DECLARE WITH FULL RESPONSIBILITY THAT I SHALL ENGAGE L.B.A & E.S.E DURING CONSTRUCTION AND FOLLOW THE INSTRUCTION OF L.B.A & E.S.E DURING CONSTRUCTION OF THE BUILDING (AS PER DRAWING) AND IT IS CERTIFIED THAT I HAVE GONE THROUGH THE WEST BENGAL MUNICIPAL (BUILDING) RULES, 2007 AND ALSO UNDER TAKE TO ABIDE BY THOSE RULES DURING AND AFTER THE CONSTRUCTION OF THE BUILDING.

**SIGNATURE OF OWNER**  
 MADHUSUDON PRAMANIK  
 MANAGING DIRECTOR OF B.L.REALTY(INDIA) PVT.LTD  
 REGD OFFICE : DHALUA NORTH, GAMKAL LANE, SEENAGAR MAIN ROAD, KOLKATA-700152  
 MOBILE NO 9051771478.

**SIGNATURE OF OWNER AS CONSTITUTED ATTORNEY OF**  
 1) MINOTOSH NASKAR  
 2) SANTU NASKAR  
 3) ARATI NASKAR  
 4) BABULAL NASKAR

**CERTIFICATE OF STRUCTURAL ENGINEER**

I / WE DO HEREBY CERTIFY THAT THE FOUNDATION AND SUPER STRUCTURE OF THE BUILDING PROPOSED FOR CONSTRUCTION AT HOLDING NO - 756, STREET - S.N.GHOSH AVENUE, WARD NO - 26, UNDER THE JURISDICTION OF RAJPUR-SONARPUR MUNICIPALITY HAVE BEEN PERSONALLY INSPECTED AND SO DESIGNED BY ME / US WILL MAKE SUCH FOUNDATION AND SUPER STRUCTURE SAFE IN ALL RESPECT INCLUDING THE CONSIDERATION OF BEARING CAPACITY AND SETTLEMENT OF SOIL, ALL POSSIBLE LOADS INCLUDING THE SEISMIC LOADS AND OTHER CONDITIONS, IF ANY CONFORMING TO ALL STIPULATIONS OF ALL RELEVANT IS CODE OF PRACTICE AND NATIONAL BUILDING CODE OF INDIA.

**SIGNATURE OF G.T.E**  
 NAME & ADDRESS OF G.T.E : SUJIT KUMAR BOSE  
 74/J/1, SULTAN ALAM ROAD, KOLKATA - 700033  
 EMPANELLED NO : 28/R/JPSDN/G.T.E.-1/2021  
 MOBILE NO : 9804692560

**SIGNATURE OF E.S.E**  
 NAME & ADDRESS OF E.S.E : KOUSHIK SENGUPTA  
 S1/2, MAHAJATI NAGAR, BIRATI,KOLKATA - 700051  
 EMPANELLED NO : 039/R/JPSDN/ESE/2008-9/2022-23  
 MOBILE NO : 9836793811

**DECLARATION OF ARCHITECT**

I DO HEREBY CERTIFY THAT PLANS, ELEVATIONS AND SECTIONS AND OTHER STRUCTURAL DETAILS OF THE PROPOSED BUILDING ON HOLDING NO - 756, STREET - S.N.GHOSH AVENUE, WARD NO - 26 UNDER THE JURISDICTION OF RAJPUR-SONARPUR MUNICIPALITY HAVE BEEN PREPARED IN CONFORMING WITH ALL RELEVANT PROVISIONS UNDER THE WEST BENGAL MUNICIPAL(BUILDING) RULES, 2007.

**SIGNATURE OF ARCHITECT**  
 NAME OF ARCHITECT : DULAL MAZUMDER  
 CDA REGISTRATION NO : CA / 96 / 19964  
 ENLISTMENT NO : 918 / R/JPSDN/E/BA/2019-20

**ARCHITECT**  
 ART & ARCHITECTURE ARCHITECTS, ARTISTS, INTERIOR DESIGNERS, ENGINEERS  
 FLAT NO - G1, DHIRTI APARTMENT, B SAHABAGAN, KOLKATA-700059  
 E-MAIL: mazumder2008@gmail.com  
 PH - 7439 766787

**STRUCTURAL DRAWING**  
 SCALE - 1 : 100, 25, 10  
 KOUSHIK SENGUPTA  
 51/2 MAHAJATI NAGAR, BIRATI, KOLKATA-700051

